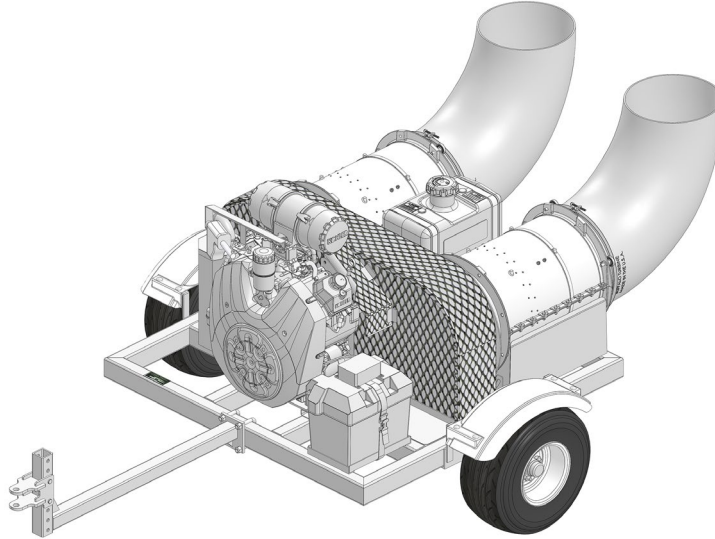




180 Zoar Valley Road • Springville, NY 14141 • Tel: (716) 592-2700 • Fax: (716) 592-2460 • BuffaloTurbine.com



CYCLONE SQUARED DEBRIS BLOWER MODEL # BT-CKB3SQ

Control	12V Wireless system w/ 360° Dual Nozzle Control and Throttle Control
Transmitter	Hand held wireless transmitter with push button control (water resistant)
Battery	12V 525 CCA
Machine Warranty	10 Year Manufacturer Warranty
Kohler Engine Warranty	3 Year Limited Warranty
Frame Length (Skid Mount)	48"
Overall Length with nozzle (Skid Mount)	75"
Overall Length with Nozzle	112"
Frame Width (Skid Mount)	48"
Overall Width Including Wheels	66"
Height	43"
Fuel Capacity	6 gallons
Weight	800 lbs. (363kg)
Input Power	CH1000 Kohler Gasoline Engine
Input RPM	Adjustable Engine Throttle up to 3400 RPM
Output RPM	Approx. 3400 RPM
Nozzle	Aerospace Polymer Nozzle (optional aluminum nozzles are available)
Outlet Size	approx. 12" (2 nozzles)
Maintenance Meter	Optional
Tires	18 x 8.50-8
Trailer	Bolt on trailer package with adjustable hitch
Shipping Weight	880 lbs. (400kg)
Shipping Box Size	68"(172.72cm) x 54"(137.16cm) x 46"(116.84cm)



WARNING: Cancer and Reproductive Harm – www.P65Warnings.ca.gov