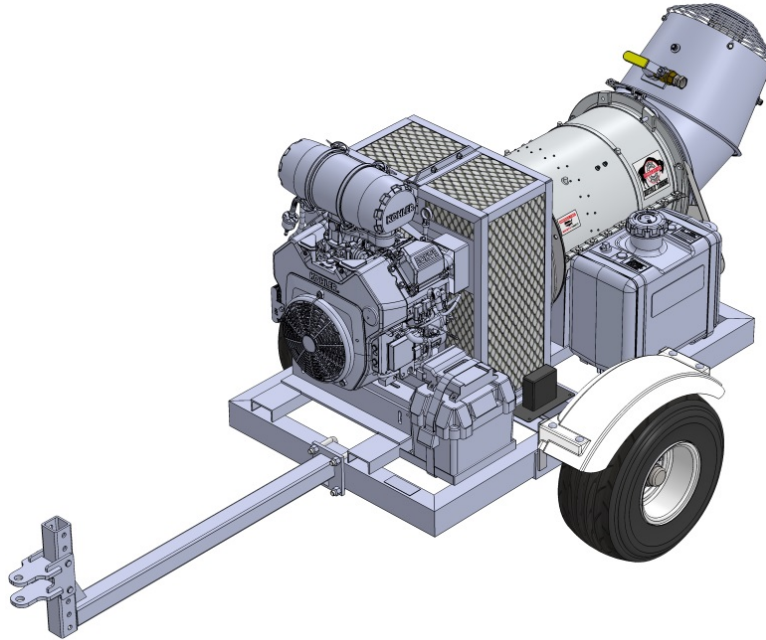




180 Zoar Valley Road • Springville, NY 14141 • Tel: (716) 592-2700 • Fax: (716) 592-2460 • BuffaloTurbine.com



## Dust/Odor Controller Gas Model # BT-CKB5EFIM

---

<b>Control:</b>	12V Wireless system w/ remote engine start /stop (no choke required), 360° Nozzle Control and Throttle Control
<b>Transmitter:</b>	Hand held wireless transmitter with push button control (water resistant)
<b>Misting System</b>	Gyratory Atomizing Nozzle
<b>Hose Input</b>	3/4" Utility / Garden Hose
<b>Minimum Water Volume</b>	1/3 Gallon Per Minute
<b>Maximum Water Volume</b>	20 Gallons Per Minute @120psi
<b>Minimum Water Pressure</b>	40 PSI
<b>Maximum Water Pressure</b>	120 PSI
<b>Droplet size</b>	50-200 Microns
<b>Throw Distance Horizontal</b>	Up to 125 ft. in Neutral Wind Conditions
<b>Throw Distance Vertical</b>	Up to 50 ft. in Neutral Wind Conditions
<b>Warranty</b>	10 Year Warranty
<b>Engine Warranty</b>	3 Year Kohler Engine Warranty
<b>Input Power:</b>	ECH749 Kohler Gasoline Engine (EFI engine does not have a choke)
<b>Input RPM:</b>	Adjustable Throttle up to 3900 RPM (more fuel economy when ran below 3600 RPM)
<b>Outlet Size:</b>	12"
<b>Frame Length</b>	48"
<b>Overall Length with Nozzle</b>	102"
<b>Width:</b>	48"
<b>Max Height with nozzle in upright position</b>	39"
<b>Weight</b>	470 lbs.