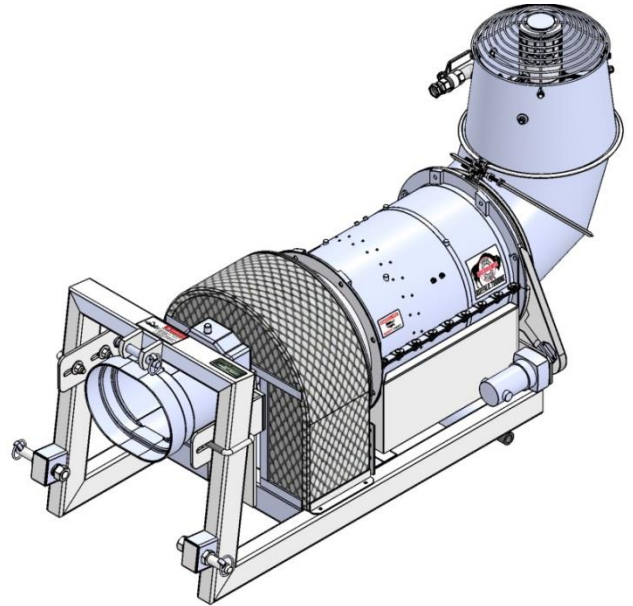




**BUFFALO
TURBINE**

Buffalo Turbine LLC
180 Zoar Valley Road
Springville, NY 14141
Tel: 716-592-2700
Fax: 716-592-2460

Dust/Odor Controller PTO Model # BT-CPTOM



Misting System	Gyratory Atomizing Nozzle
Hose Input	3/4" Utility / Garden Hose
Minimum Water Volume	1/3 Gallon Per Minute
Maximum Water Volume	20 Gallons Per Minute @ 120psi
Minimum Water Pressure	40 PSI
Maximum Water Pressure	120 PSI
Droplet size	50-200 Microns
Throw Distance Horizontal	Up to 125 ft. in Neutral Wind Conditions
Throw Distance Vertical	Up to 50 ft. in Neutral Wind Conditions
Warranty	10 Year Warranty
Input Power:	Direct Drive Gearbox
Input RPM:	USE ONLY @ 540RPM PTO SHAFT SPEED MAX
Output RPM:	Up to 3780 RPM
Recommended HP @ PTO:	20
Outlet Size:	12"
Frame Length	43"
Overall Length with Nozzle	63"
Width:	22"
Max Height with nozzle in upright position	24"
Weight:	275 lbs