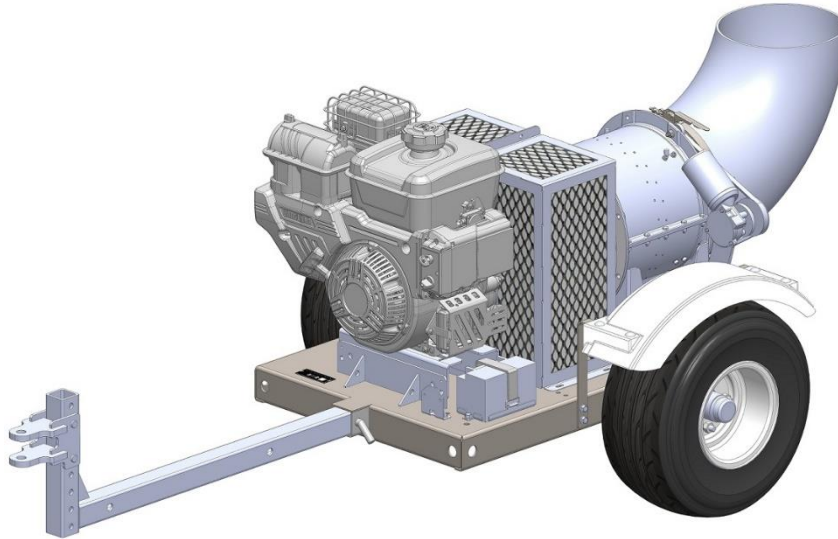




180 Zoar Valley Road • Springville, NY 14141 • Tel: (716) 592-2700 • Fax: (716) 592-2460 • BuffaloTurbine.com



CYCLONE 8000 DEBRIS BLOWER MODEL # BT-CYC8K2

Control	12V wired 360° Nozzle Control
Machine Warranty	10 Year Manufacturer Warranty
Engine Warranty	3 Year Warranty
Frame Length (Skid Mount)	42"
Overall Length with nozzle (Skid Mount)	57.5"
Overall Length with Nozzle	94"
Frame Width (Skid Mount)	29"
Overall Width Including Wheels	44"
Height	34"
Fuel Capacity	1.5 gallons
Weight	336 lbs.
Input Power	14 HP Gasoline Engine
Nozzle	Aerospace Polymer Nozzle
Outlet Size	Approx. 10"
Tires	18.5 x 8.50-8
Trailer	Bolt on trailer package with adjustable tongue
Shipping Weight	408 lbs. (185.07kg)
Shipping Box Size	53"(134.62cm) x 37"(93.98cm) x 52"(132.08cm)



WARNING: Cancer and Reproductive Harm – www.P65Warnings.ca.gov