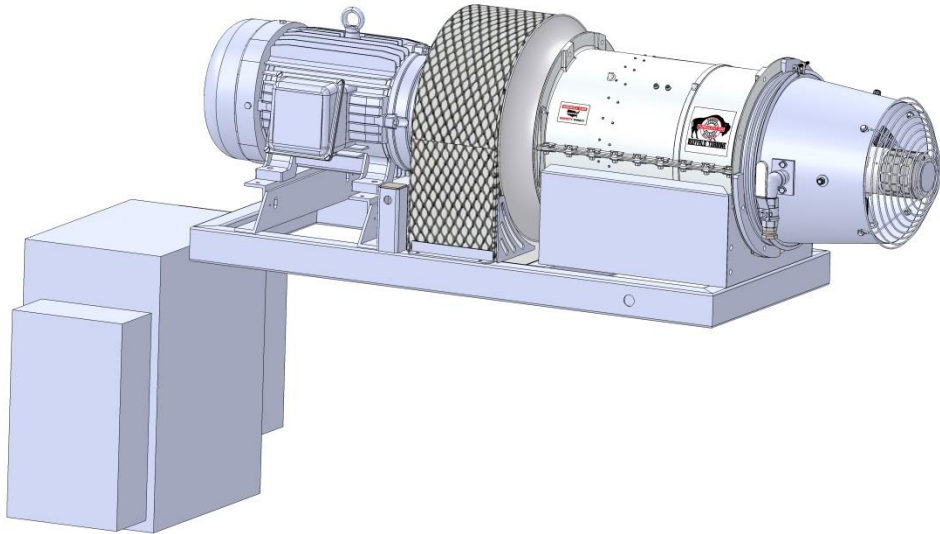




**BUFFALO
TURBINE**

Buffalo Turbine LLC
180 Zoar Valley Road
Springville, NY 14141
Tel: 716-592-2700
Fax: 716-592-2460

Dust/Odor Controller 460 volt, Skid Mount Model # BT-EL12M-460



Misting System	Gyratory Atomizing Nozzle
Hose Input	3/4" Utility / Garden Hose
Minimum Water Volume	1/3 Gallon Per Minute
Maximum Water Volume	20 Gallons Per Minute @ 120psi
Minimum Water Pressure	40 PSI
Maximum Water Pressure	120 PSI
Droplet size	50-200 Microns
Throw Distance Horizontal	Up to 125 ft. in Neutral Wind Conditions
Throw Distance Vertical	Up to 50 ft. in Neutral Wind Conditions
Warranty	10 Year Warranty
Electric Motor Warranty	2 Year Warranty
Electrical System:	460 Volt 3 Phase
Input Power:	20 HP Electric Motor
Input RPM:	Variable Speed up to 3550 RPM
If using a Generator a VFD (variable frequency drive) line reactor is required please contact generator manufacturer	
Outlet Size:	12"
Oscillation	3 Settings from 30 Degrees to 80 Degrees
Frame Length	50"
Overall Length with Nozzle	72"
Width:	22"
Max Height with nozzle in upright position	24"
Weight:	TBD