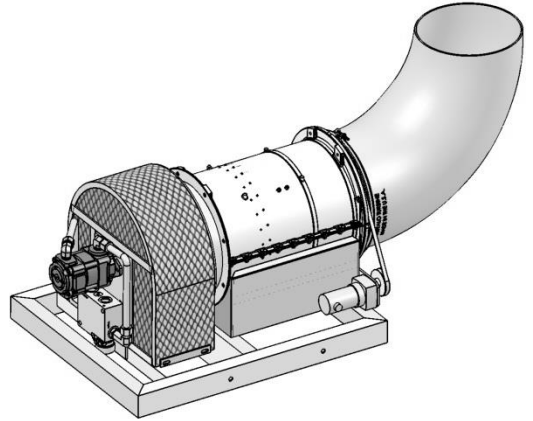




BUFFALO TURBINE

Buffalo Turbine LLC
180 Zoar Valley Road
Springville, NY 14141
Tel: 716-592-2700
Fax: 716-592-2460

Hydraulic Debris Blower Model # BT-HY2HS



Warranty	One Year Buffalo Turbine Warranty
Motor Warranty	10 Year Warranty
Input Power:	Bucher Hydraulic motor
Input RPM:	Up to 4100 RPM*
Outlet Size:	12"
Frame Length	35"
Overall Length with Nozzle	59"
Width:	28.5"
Max Height with nozzle in upright position	32"
Weight:	Approx. 300 lbs
Nozzle rotation:	360 Degrees
Hydraulic Motor Displacement size	.918 cu.in./Rev
Required minimum hydraulic pressure (to operate @ stated values)	3100 psi
Maximum Hydraulic flow rate	25 GPM(**)
Mounting (any position)	SAE "A" size, 2 bolt
Shaft Seal Max. Pressure	50 psi
Port location	Top ports
Drain port (MUST BE CONNECTED DIRECTLY TO RESERVOIR)	#8 Male ORB connection

It is necessary to warm up the hydraulic vehicle for 5 minutes to get the hydraulic oil up to operating temperature

(*) Flow Rates below 18 gpm will reduce the Blower output (RPM) please contact Buffalo Turbine for More information.

(**) CONTACT BUFFALO TURBINE FOR FLOW RATES THAT EXCEED 25 GPM

**Drain Port (Case Drain) connection: MUST BE UTILIZED AND FREE FLOWING BACK TO RESERVOIR
WARRANTY IS VOID IF CASE DRAIN PORT IS NOT CONNECTED PROPERLY.**