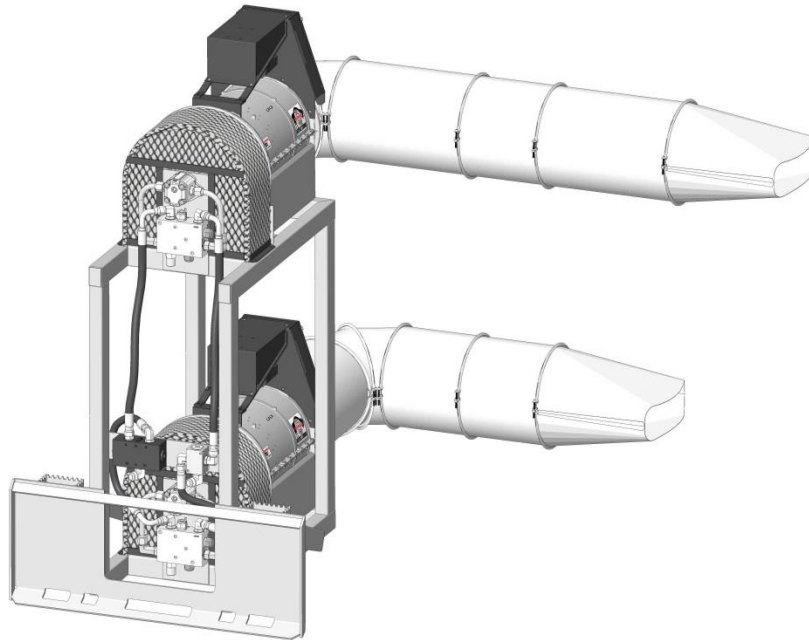




Buffalo Turbine LLC  
 180 Zoar Valley Road  
 Springville, NY 14141  
 Tel: 716-592-2700  
 Fax: 716-592-2460

## Hydraulic Snow Blower HIGH SPEED (Model # BT-HY2HSSB)



Warranty	One Year Buffalo Turbine Warranty
Motor Warranty	10 Year Warranty
Input Power:	2 Hydraulic motors
Input RPM:	Up to 4100 RPM (per turbine)*
Outlet Size:	5.5" x 15"
Length	48" without nozzles
Width:	46" without nozzles
Height	79"
Weight:	650 lbs
Nozzle Rotation:	180 Degrees
Hydraulic Motor Displacement size	.918 cu.in./Rev
Required minimum hydraulic pressure (to operate @ stated values)	3100 psi
Hydraulic flow rate	41 GPM (up to 50 GPM max)
Mounting (any position)	SAE "A" size, 2 bolt
Shaft Seal Max. Pressure	50 psi
Port location	Top ports
Drain port (MUST BE CONNECTED DIRECTLY TO RESERVOIR)	#8 Male ORB connection
Main Hydraulic hose size (from vehicle to blower)	1"

(\*) Flow Rates below 41 gpm will reduce the Blower output (RPM) please contact Buffalo Turbine for More information.

\*\*It is necessary to warm up the hydraulic vehicle for 5 minutes to get the hydraulic oil up to operating temperature\*\*