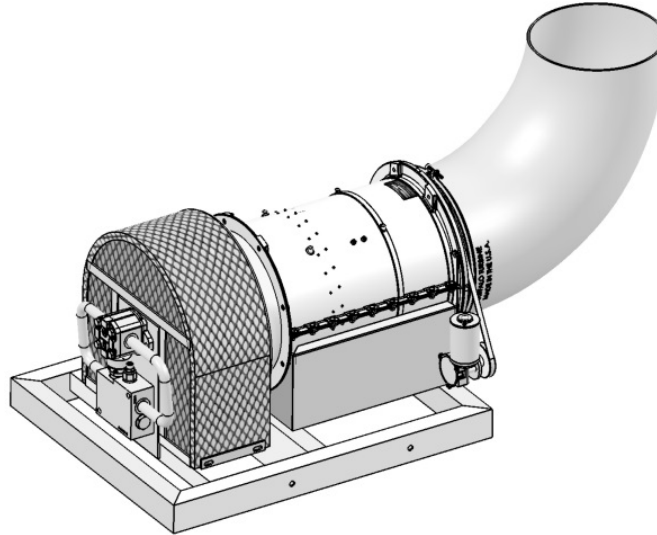




180 Zoar Valley Road • Springville, NY 14141 • Tel: (716) 592-2700 • Fax: (716) 592-2460 • BuffaloTurbine.com



Hydraulic Debris Blower Model # BT-HY3

Warranty	10 Year Buffalo Turbine Warranty
Motor Warranty	2 Year Warranty
Input Power	Hydraulic motor
Input RPM	Up to 3600 RPM*
Outlet Size	12"
Frame Length	39"
Overall Length with Nozzle	64"
Width	28.5"
Max Height with nozzle in upright position	32"
Weight	300 lbs
Nozzle Rotation	360°
Hydraulic Motor Displacement size	.915 cu.in./Rev
Required minimum hydraulic pressure (to operate @ stated values)	2900 psi
Maximum Hydraulic flow rate	40 GPM
Mounting (any position)	SAE "A" size, 2 bolt
Shaft Seal Max. Pressure	150 psi

(*) Flow Rates below 16 gpm will reduce the Blower output (RPM)
please contact Buffalo Turbine for more information.

**It is necessary to warm up the hydraulic vehicle for 5 minutes to get
the hydraulic oil up to operating temperature**