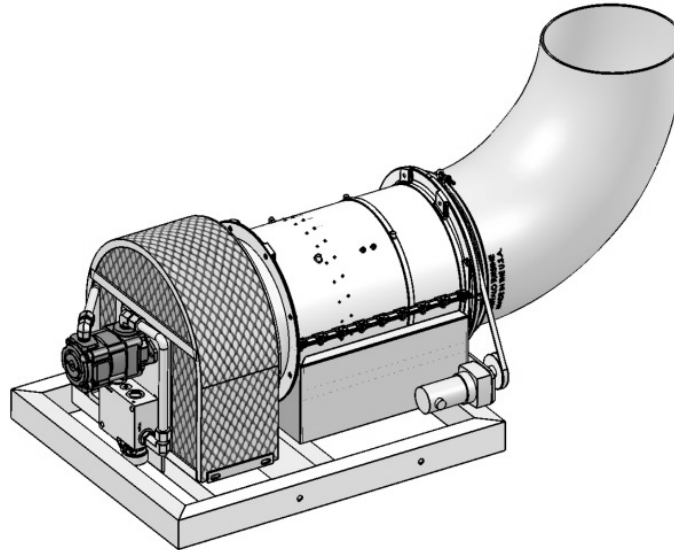




180 Zoar Valley Road • Springville, NY 14141 • Tel: (716) 592-2700 • Fax: (716) 592-2460 • BuffaloTurbine.com



Hydraulic Debris Blower Model # BT-HY3HS

Warranty	10 Year Buffalo Turbine Warranty
Motor Warranty	2 Year Warranty
Input Power	Hydraulic motor
Input RPM	Up to 4100 RPM*
Outlet Size	12"
Frame Length	35"
Overall Length with Nozzle	59"
Width	28.5"
Max Height with nozzle in upright position	32"
Weight	Approx. 300 lbs.
Nozzle rotation	360°
Hydraulic Motor Displacement size	.918 cu.in./Rev
Required minimum hydraulic pressure (to operate @ stated values)	3100 psi
Maximum Hydraulic flow rate	40 GPM(**)
Mounting (any position)	SAE "A" size, 2 bolt
Shaft Seal Max. Pressure	130 psi

It is necessary to warm up the hydraulic vehicle for 5 minutes to get the hydraulic oil up to operating temperature

(*) Flow Rates below 18 gpm will reduce the Blower output (RPM) please contact Buffalo Turbine for More information.

(**) CONTACT BUFFALO TURBINE FOR FLOW RATES THAT EXCEED 40 GPM