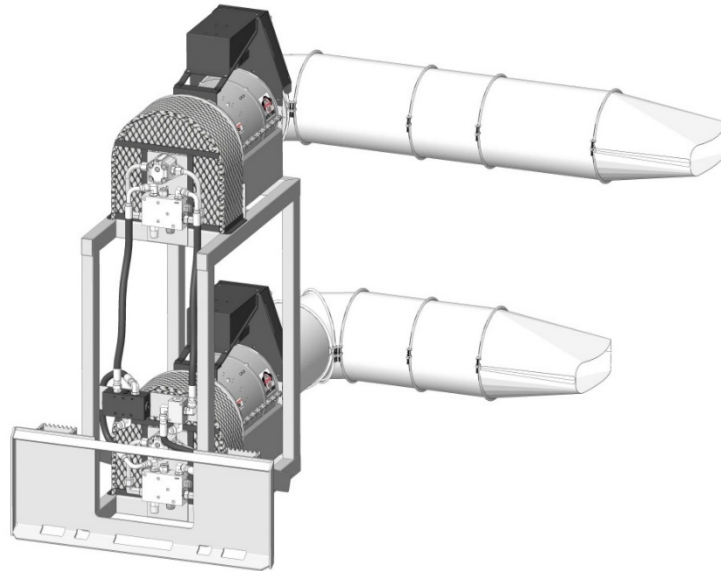




180 Zoar Valley Road • Springville, NY 14141 • Tel: (716) 592-2700 • Fax: (716) 592-2460 • BuffaloTurbine.com



Hydraulic Snow Blower HIGH SPEED (Model # BT-HY3HSSB)

Warranty	10 Year Manufacturer Warranty
Motor Warranty	2 Year Warranty
Input Power	2 Hydraulic motors
Input RPM	Up to 4100 RPM (per turbine)*
Outlet Size	5.5" x 15"
Length	48" without nozzles
Width	46" without nozzles
Height	79"
Weight	650 lbs.
Nozzle Rotation	180°
Hydraulic Motor Displacement size	.918 cu.in./Rev
Required minimum hydraulic pressure (to operate @ stated values)	3100 psi
Hydraulic flow rate	41 GPM (up to 50 GPM max)
Mounting (any position)	SAE "A" size, 2 bolt
Shaft Seal Max. Pressure	130 psi

(*) Flow Rates below 41 gpm will reduce the Blower output (RPM) please contact Buffalo Turbine for More information.

It is necessary to warm up the hydraulic vehicle for 5 minutes to get the hydraulic oil up to operating temperature



180 Zoar Valley Road • Springville, NY 14141 • Tel: (716) 592-2700 • Fax: (716) 592-2460 • BuffaloTurbine.com
