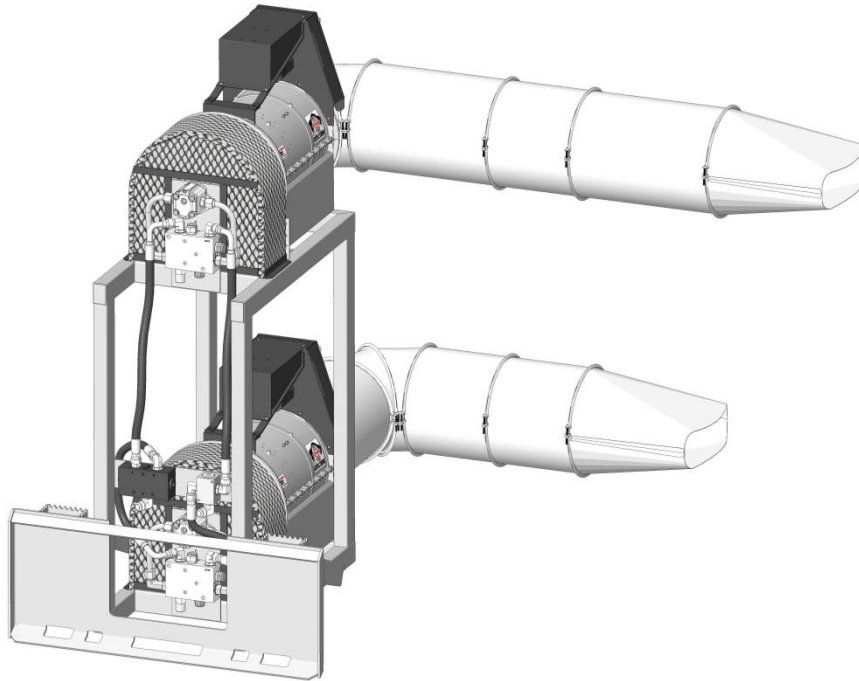




Buffalo Turbine LLC
 180 Zoar Valley Road
 Springville, NY 14141
 Tel: 716-592-2700
 Fax: 716-592-2460

Hydraulic Snow Blower (Model # BT-HY3SB)



Warranty	One Year Buffalo Turbine Warranty
Motor Warranty	10 Year Warranty
Input Power:	2 Hydraulic motors
Input RPM:	Up to 3600 RPM (per turbine)*
Outlet Size:	5.5" x 15"
Length	48" without nozzles
Width:	46" without nozzles
Height	79"
Weight:	650 lbs
Nozzle Rotation:	360 Degrees
Hydraulic Motor Displacement size	.915 cu.in./Rev
Required minimum hydraulic pressure (to operate @ stated values)	2900 psi
Hydraulic flow rate	37 GPM (up to 50 GPM max)
Mounting (any position)	SAE "A" size, 2 bolt
Shaft Seal Max. Pressure	250 psi
Port location	Side ports

(*) Flow Rates below 37 gpm will reduce the Blower output (RPM) please contact Buffalo Turbine for More information.

It is necessary to warm up the hydraulic vehicle for 5 minutes to get the hydraulic oil up to operating temperature