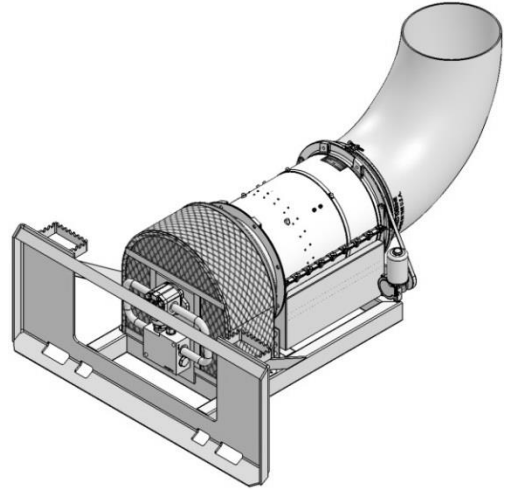




Buffalo Turbine LLC
 180 Zoar Valley Road
 Springville, NY 14141
 Tel: 716-592-2700
 Fax: 716-592-2460

Hydraulic Debris Blower Model # BT-HYSS2HS



Warranty	One Year Buffalo Turbine Warranty
Motor Warranty	10 Year Warranty
Input Power:	Hydraulic motor
Input RPM:	Up to 4100 RPM*
Outlet Size:	12"
Frame Length	39"
Overall Length with Nozzle	64"
Width:	46"
Max Height with nozzle in upright position	32"
Weight:	300 lbs
Nozzle Rotation:	360 Degrees
Hydraulic Motor Displacement size	.915 cu.in./Rev
Required minimum hydraulic pressure (to operate @ stated values)	3100 psi
Maximum Hydraulic flow rate	25 GPM
Mounting (any position)	SAE "A" size, 2 bolt
Shaft Seal Max. Pressure	50 psi
Port location	Side ports

(*) Flow Rates below 18 gpm will reduce the Blower output (RPM) please contact Buffalo Turbine for More information.

**Drain Port(case drain) connection: MUST BE UTILIZED AND FREE FLOWING BACK TO RESERVOIR
 WARRANTY VOID IF CASE DRAIN PORT IS NOT CONNECTED PROPERLY.**

CONTACT BUFFALO TURBINE FOR FLOW RATES THAT EXCEED 25 GPM

****It is necessary to warm up the hydraulic vehicle for 5 minutes to get the hydraulic oil up to operating temperature****