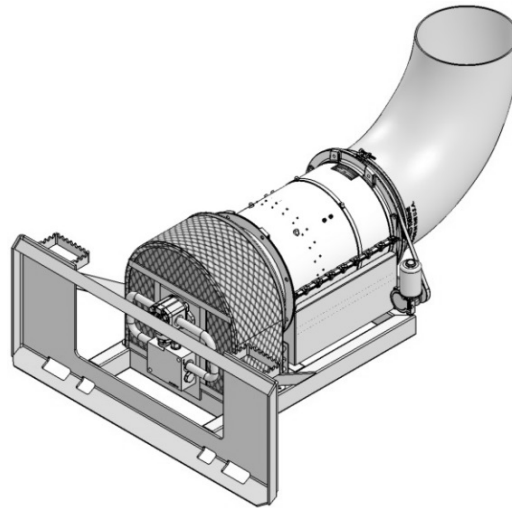




180 Zoar Valley Road • Springville, NY 14141 • Tel: (716) 592-2700 • Fax: (716) 592-2460 • BuffaloTurbine.com



Hydraulic Debris Blower Model # BT-HYSS3HS

| | |
|---|----------------------------------|
| Warranty | 10 Year Buffalo Turbine Warranty |
| Motor Warranty | 2 Year Warranty |
| Input Power | Hydraulic motor |
| Input RPM | Up to 4100 RPM* |
| Outlet Size | 12" |
| Frame Length | 39" |
| Overall Length with Nozzle | 64" |
| Width | 46" |
| Max Height with nozzle in upright position | 32" |
| Weight | 300 lbs. |
| Nozzle Rotation | 360° |
| Hydraulic Motor Displacement size | .915 cu.in./Rev |
| Required minimum hydraulic pressure (to operate @ stated values) | 3100 psi |
| Maximum Hydraulic flow rate | 40 GPM |
| Mounting (any position) | SAE "A" size, 2 bolt |
| Shaft Seal Max. Pressure | 130 psi |

(*) Flow rates below 18 gpm will reduce the blower output (RPM) please contact Buffalo Turbine for more information.

CONTACT BUFFALO TURBINE FOR FLOW RATES THAT EXCEED 40 GPM

It is necessary to warm up the hydraulic vehicle for 5 minutes to get the hydraulic oil up to operating temperature