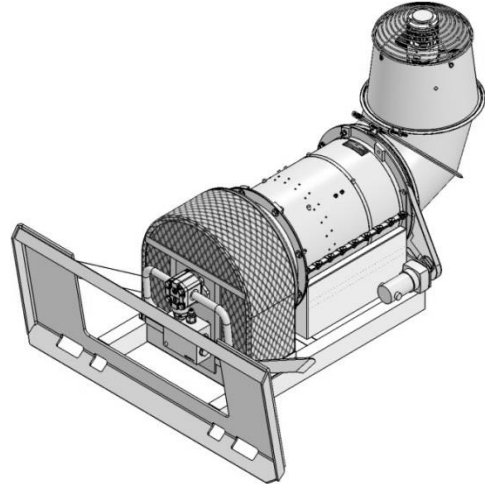




Buffalo Turbine LLC  
 180 Zoar Valley Road  
 Springville, NY 14141  
 Tel: 716-592-2700  
 Fax: 716-592-2460

## Dust/Odor Controller Hydraulic Model # BT-HYSS3M



Misting System	Gyratory Atomizing Nozzle
Hose Input	3/4" Utility / Garden Hose
Minimum Water Volume	1/3 Gallon Per Minute
Maximum Water Volume	20 Gallons Per Minute @120psi
Minimum Water Pressure	40 PSI
Maximum Water Pressure	120 PSI
Droplet size	50-200 Microns
Throw Distance Horizontal	Up to 125 ft. in Neutral Wind Conditions
Throw Distance Vertical	Up to 50 ft. in Neutral Wind Conditions
Warranty	One Year Buffalo Turbine Warranty
Motor Warranty	10 Year Warranty
Input Power:	Bucher Hydraulic motor
Input RPM:	Up to 3600 RPM*
Outlet Size:	12"
Nozzle rotation:	360 Degrees
Frame Length	39"
Overall Length with Nozzle	64"
Width:	46"
Max Height with nozzle in upright position	32"
Weight:	300 lbs
Hydraulic Motor Displacement size	.915 cu.in./Rev
Required minimum hydraulic pressure (to operate @ stated values)	2900 psi
Maximum Hydraulic flow rate	25 GPM
Mounting (any position)	SAE "A" size, 2 bolt
Shaft Seal Max. Pressure	250 psi
Port location	Side ports

(\* ) Flow Rates below 16 gpm will reduce the Blower output (RPM) please contact Buffalo Turbine for More information.  
 CONTACT BUFFALO TURBINE FOR FLOW RATES THAT EXCEED 25 GPM

\*\*It is necessary to warm up the hydraulic vehicle for 5 minutes to get the hydraulic oil up to operating temperature\*\*