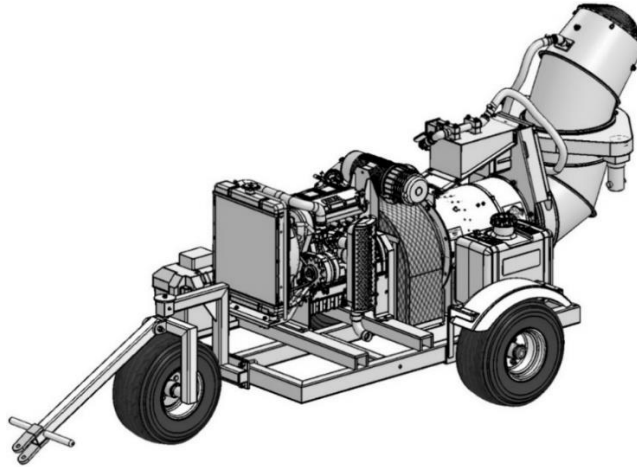




180 Zoar Valley Road • Springville, NY 14141 • Tel: (716) 592-2700 • Fax: (716) 592-2460 • BuffaloTurbine.com



Dust & Odor Control Diesel Model # BT-MDC2

Misting System	Gyratory Atomizing Nozzle
Hose Input	3/4" Utility / Garden Hose
Minimum Water Volume	1/3 Gallon Per Minute
Maximum Water Volume	20 Gallons Per Minute @ 120psi
Minimum Water Pressure	40 psi
Maximum Water Pressure	120 psi
Droplet size	50-200 Microns
Throw Distance Horizontal	Up to 125 ft. in Neutral Wind Conditions
Throw Distance Vertical	Up to 50 ft. in Neutral Wind Conditions
Warranty	10 Year Manufacturer Warranty
Engine Warranty	3 Year Warranty
Input Power	KDW1003 Kohler Engine
Input RPM	Up to 3600 RPM
Outlet Size	12"
Oscillation	Settings up to 270°
Length with wheels and handle removed	88"
Overall Length with Nozzle and tow handle	136"
Width	55"
Max Height with nozzle in upright position	54"
Weight	975 lbs.
Transmitter	Hand held wireless transmitter (water resistant) with push button control (manual control option available)



WARNING: Cancer and Reproductive Harm – www.P65Warnings.ca.gov