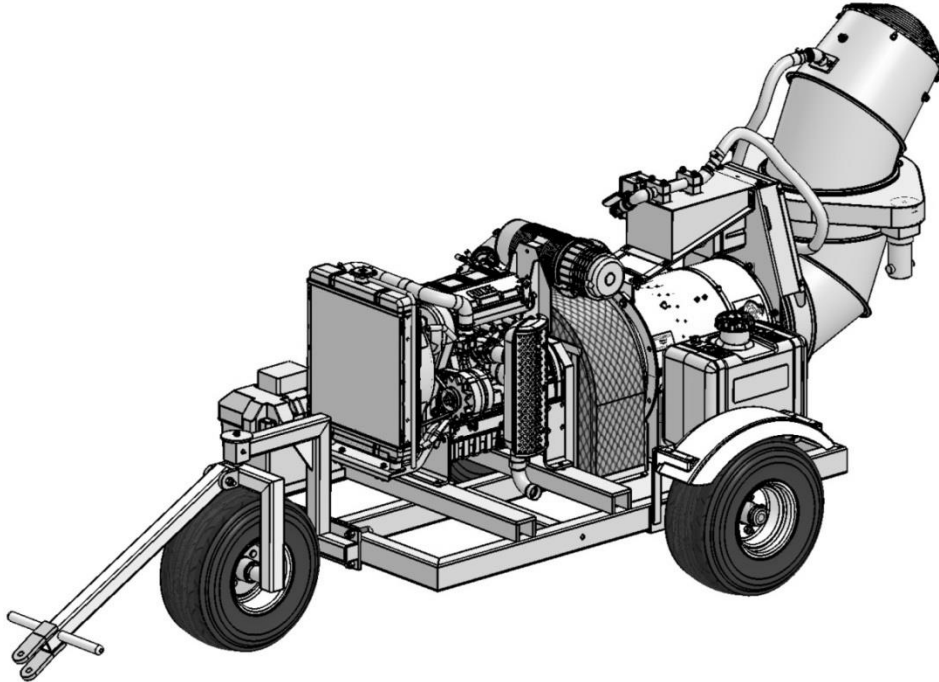




Buffalo Turbine LLC
180 Zoar Valley Road
Springville, NY 14141
Tel: 716-592-2700
Fax: 716-592-2460

Dust/Odor Controller Diesel Model # BT-MDC2



Misting System	Gyratory Atomizing Nozzle
Hose Input	3/4" Utility / Garden Hose
Minimum Water Volume	1/3 Gallon Per Minute
Maximum Water Volume	20 Gallons Per Minute @ 120psi
Minimum Water Pressure	40 PSI
Maximum Water Pressure	120 PSI
Droplet size	50-200 Microns
Throw Distance Horizontal	Up to 125 ft. in Neutral Wind Conditions
Throw Distance Vertical	Up to 50 ft. in Neutral Wind Conditions
Warranty	10 Year Buffalo Turbine Warranty
Electric Motor Warranty	3 Year Kohler Engine Warranty
Input Power:	KDW1003 Kohler Engine
Input RPM:	Up to 3600 RPM
Outlet Size:	12"
Oscillation	Settings up to 180 Degrees
Length with wheels and handle removed	88"
Overall Length with Nozzle and tow handle	136"
Width:	55"
Max Height with nozzle in upright position	54"
Weight:	975 lbs
Transmitter:	Hand held wireless transmitter (water resistant) with push button control (manual control option available)