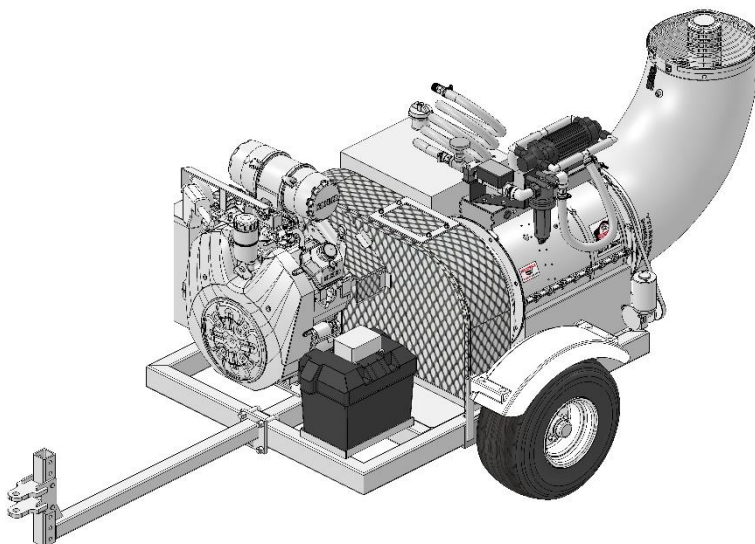




180 Zoar Valley Road • Springville, NY 14141 • Tel: (716) 592-2700 • Fax: (716) 592-2460 • BuffaloTurbine.com



District Disinfector Series Model # BT-MEGA-MDSS

Control:	12V Wireless system w/ 360° Nozzle Control and Throttle Control
Transmitter:	Hand held wireless transmitter with push button control (water resistant)
Misting System	Gyratory Atomizing Nozzle
Hose Input	3/4" Utility / Garden Hose
Minimum Water Volume	1/3 Gallon Per Minute
Maximum Water Volume	10 Gallons Per Minute @120psi
Minimum Water Pressure	40 PSI
Maximum Water Pressure	120 PSI
Droplet size	50-200 Microns
Throw Distance Horizontal	Up to 125 ft. in Neutral Wind Conditions
Throw Distance Vertical	Up to 100 ft. in Neutral Wind Conditions
Warranty	10 Year Manufacturer Warranty
Engine Warranty	3 Year Kohler Engine Warranty
Input Power:	CH740 Kohler Gasoline Engine
Input RPM:	Adjustable Throttle up to 3500 RPM
Output RPM:	Approx. 4300 RPM
Outlet Size:	12"
Frame Length	48"
Overall Length with Nozzle	112"
Width:	36.5"
Max Height with nozzle in upright position	30"
Weight	630 lbs.



WARNING: Cancer and Reproductive Harm – www.P65Warnings.ca.gov