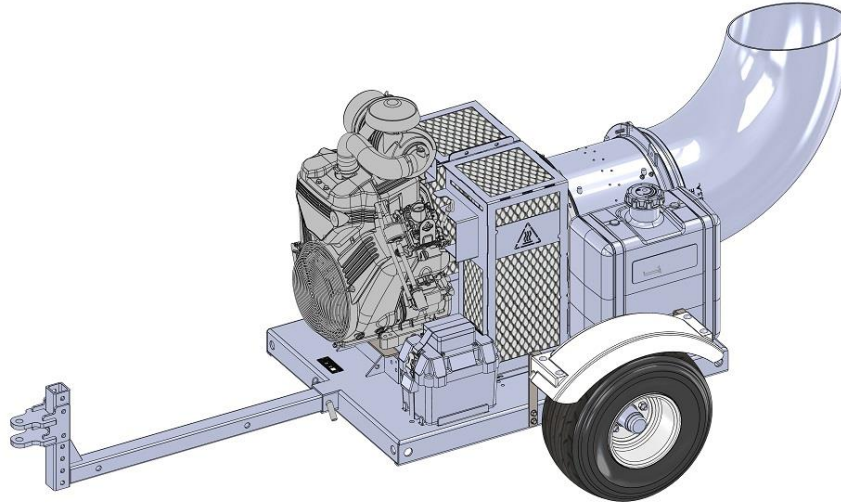




180 Zoar Valley Road • Springville, NY 14141 • Tel: (716) 592-2700 • Fax: (716) 592-2460 • BuffaloTurbine.com



CYCLONE MEGA3 DEBRIS BLOWER MODEL # BT-MEGA3

Control	12V Wireless system w/ remote engine start /stop (no choke required), Throttle Control, 360° Nozzle Control and Auto Nozzle Position System
Transmitter	Hand held wireless transmitter with push button control (water resistant)
Battery	12V 350 CCA
Machine Warranty	10 Year Manufacturer Warranty
Engine Warranty	3 Year Warranty
Frame Length (Skid Mount)	47.5"
Overall Length with Nozzle (Skid Mount)	72"
Overall Length with Nozzle	96"
Frame Width (Skid Mount)	28.5"
Overall Width w/ Wheels	47.5"
Height	36"
Fuel Capacity	8 gallons
Weight	447 lbs.
Input Power	40 HP EFI Gasoline Engine
Nozzle	Aerospace Polymer Nozzle (optional aluminum nozzles are available)
Outlet Size	Approx. 12"
Tires	18 x 8.50-8
Trailer	Bolt on trailer package with adjustable hitch
Shipping Weight	552 lbs. (250.38kg)
Shipping Box Size	53"(134.62cm) x 37"(93.98cm) x 49"(124.46cm)



WARNING: Cancer and Reproductive Harm – www.P65Warnings.ca.gov