



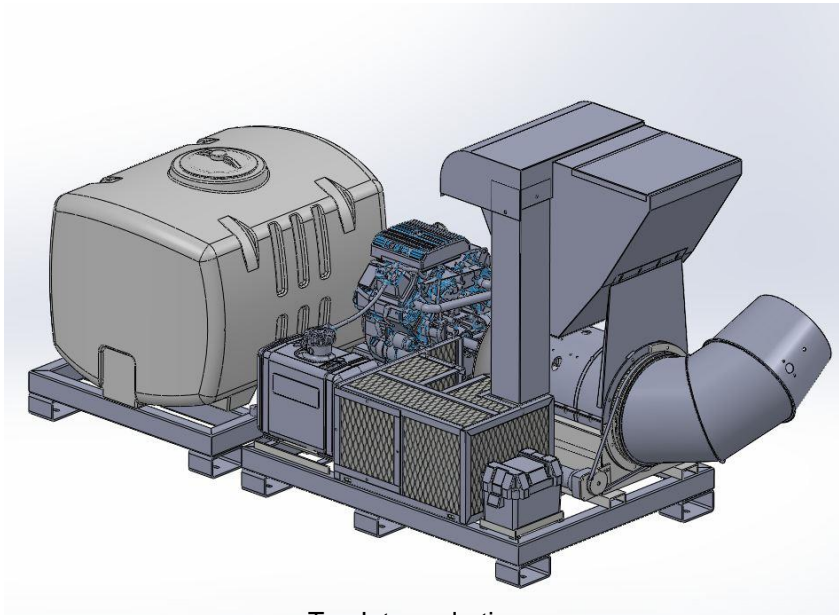
BUFFALO TURBINE

Buffalo Turbine LLC
180 Zoar Valley Road
Springville, NY 14141
Tel: 716-592-2700
Fax: 716-592-2460

CSM3 SPRAYER

(Model Shown in Photo BT-CSM3DBT)

BT-CSM3T (without optional dust/granular bin) not shown



Misting System

TeeJet nozzle tips

Maximum Water Volume

10 Gallons Per Minute @150psi

Maximum Water Pressure

150 PSI

Throw Distance Horizontal

Up to 200 ft depending on Wind Conditions

Throw Distance Vertical

Up to 100 ft. in Neutral Wind Conditions

Warranty

10 Year Buffalo Turbine Warranty

Engine Warranty

3 Year Kohler Engine Warranty

Electrical System:

12V Battery

Input Power:

CH740 Kohler Motor

Input RPM:

up to 3750 RPM

Outlet Size:

Approximately 12"

Overall Length (without trailer) Nozzle

103" with nozzle assembly & 100 gallon tank attached (Varies by model)

Overall Length (with DOT trailer)with Nozzle

155" with nozzle assembly & 100 gallon tank attached (Varies by model)

Width (without trailer):

40 1/2"

Width (with DOT trailer):

80"

Height (without trailer):

34" (with Dust/Granular Bin 53")

Height (with trailer):

54" (with Dust/Granular Bin 73")

Shipping Weight (with dust bin and 100 gallon tank):

Approx. 820lbs.