

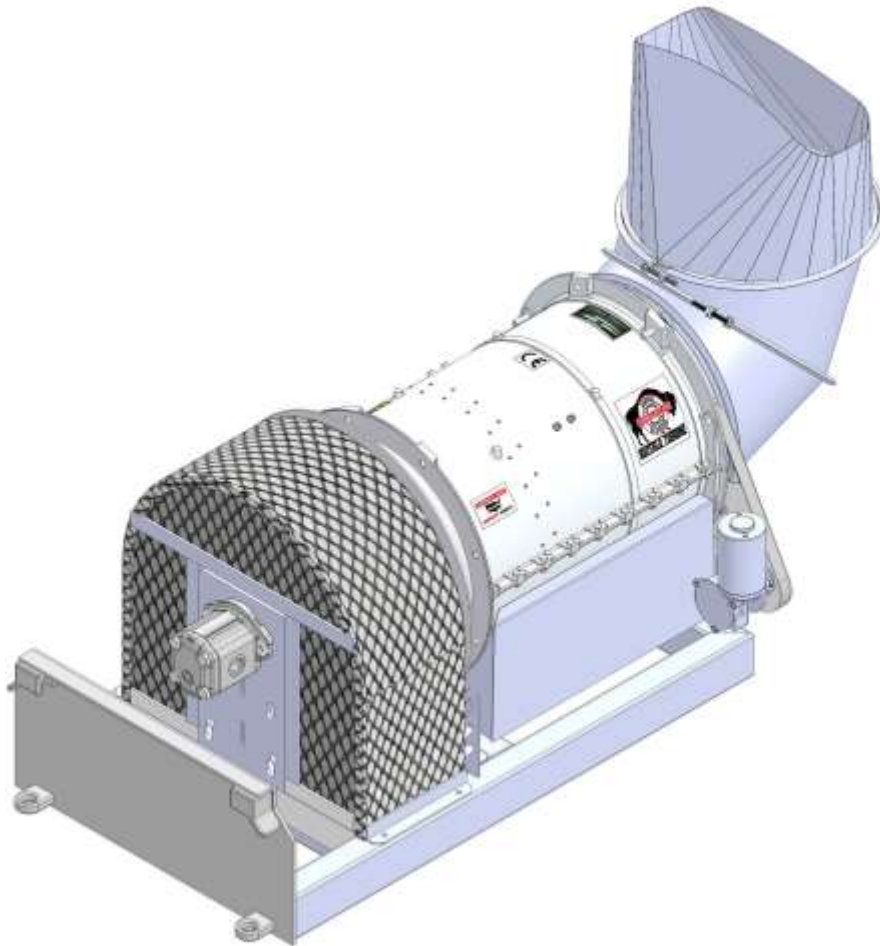
# BUFFALO TURBINE

180 Zoar Valley Road  
Springville, NY 14141

TEL: 716 592 2700 FAX: 716 592 2460

EMAIL: [info@buffaloturbine.com](mailto:info@buffaloturbine.com)

WEBSITE: [www.buffaloturbine.com](http://www.buffaloturbine.com)



## BUFFALO TURBINE'S BT-HYM1CE ORIGINAL INSTRUCTIONS AND PARTS MANUAL

03/20 -BT MAN

# TABLE OF CONTENTS

Ref. Number	Description	Page Number
1.0	Introduction	2
2.0	Safety	3
2.1	Safety Decals	4
2.2	General Safety	4
2.3	Operating Safety	4
2.4	Maintenance Safety	4
2.5	Transport Safety	5
2.6	Storage Safety	5
2.7	Sign-off Form	5
3.0	Warranty Information	6
3.1	Warranty Registration Form	7
4.0	Operations	8
4.1	To the new operator or owner	8
4.2	Break-in	8
4.3	Pre-Operation Checks	8
4.4	Model BT-HYM1CE Assembly Instructions	9
4.5	Field Operation	9
4.6	Operating RPM	9
4.7	Storage	9
5.0	Troubleshooting	10
6.0	Machine Specification	10
7.0	Maintenance	11
7.1	Maintenance Safety	11
7.2	Fluids	11
7.3	Service Checklist	11
	Declaration of Conformity	12
	BT-HYM1CE Parts Reference (After Serial # 29036)	13
	BT-HYM1CE Parts Sub-Assemblies	14
	Wiring Schematic for Control System	15
	Bill of Materials for BT-HYM1CE	16
	Nozzle Options	17
	Buffalo Turbine Additional Products	18

## 1.0 INTRODUCTION

Congratulations on your choice of a Buffalo Turbine Debris Blower. This equipment has been designed and manufactured to meet the needs of the Turf Care Industry.

Safe, efficient and trouble-free operation of your Buffalo Turbine Blower requires that you and anyone else, who will be operating or maintaining the Blower, read and understand all of the safety, operation, maintenance and troubleshooting information contained within this Operator's manual.

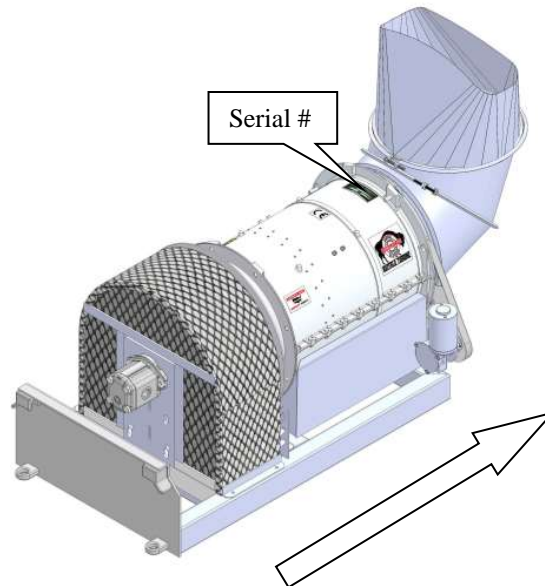
This Manual covers the BT-HYM1CE Turbine Blower.

Keep this manual handy for frequent reference and to pass on to new operators or owners. Call your Buffalo Turbine dealer or distributor if you need assistance, information, or additional copies of the manuals.

## SERIAL NUMBER LOCATION

Always give your dealer the serial number of your Debris Blower when ordering parts or requesting service or other information.

The serial number plate(s) is located where indicated in the pictures below. Please document the number in the space provided for easy reference.



**OPERATOR ORIENTATION** – The directions left, right, front and rear, as mentioned throughout the manual, are as seen from the driver's seat and facing in the direction of travel.

### MODEL BT-HYM1CE TOP SURFACE OF TURBINE

Serial Number: \_\_\_\_\_

## 2.0 SAFETY

**YOU** are responsible for the **SAFE** operation and maintenance of your Buffalo Turbine Debris Blower. **YOU** must ensure that you and anyone else, who is going to operate, maintain or work around the Buffalo Turbine Blower be familiar with the operating and maintenance procedures and related **SAFETY** information contained in this manual. This manual will take you step-by-step through your working day and alerts you to all good safety practice while operating the Blower.

Remember **YOU** are the key to safety. Good safety practices not only protect you but also the people around you. Make these practices a working part of your safety program. Be certain that **EVERYONE** operating this machine is familiar with the procedures recommended and follows safety precautions. Remember most accidents can be prevented. Do not risk injury or death by ignoring good safety practices.

- Blower owners must give operating instructions to operators or employees before allowing them to operate the Blower, and at least annually thereafter.
- The most important safety device on this equipment is a **SAFE** operator. It is the operator's responsibility to read and understand **ALL** Safety and Operating instructions in the manual and to follow these. All accidents can be avoided.
- A person who has not read and understood all operating instructions is not qualified to operate the machine. An untrained operator exposes themselves and bystanders to possible serious injury or death.
- Do not modify the equipment in any way. Unauthorized modification may impair the function and/or safety which could affect the life of the equipment.
- Think **SAFETY!** Work **SAFELY!**

This Safety Alert symbol means **ATTENTION! BECOME ALERT! YOUR SAFETY IS INVOLVED!**

The Safety Alert symbol identifies important safety messages on the Buffalo Turbine Blower and in the manual. When you see this symbol, be alert to the possibility of personal injury or death. Follow the instructions in the safety message.

Why is **SAFETY** important to you?



**3 Big Reasons: Accidents Disable and Kill  
Accidents Cost  
Accidents Can Be Avoided**

**SIGNAL WORDS:** Note the use of the signal words **DANGER**, **WARNING** and **CAUTION** with the safety messages. The appropriate signal word for each message has been selected using the following guidelines

1. **DANGER** –injury or death if the proper precautions are not taken.
2. **WARNING** -- A specific hazard or unsafe practice that **COULD** result in severe personal injury or death if proper precautions are not taken.
3. **CAUTION** – Unsafe practices that **COULD** result in personal injury if proper practices are not taken, or as a reminder of good safety.

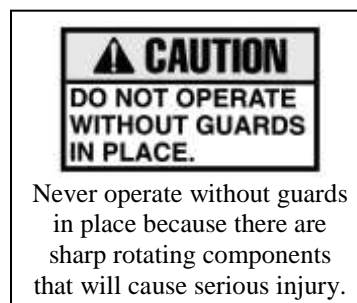
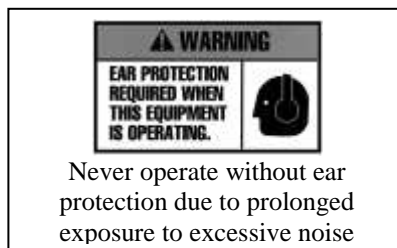
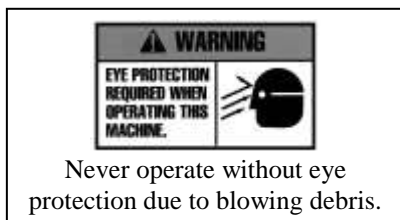
**The Safety Alert symbol identifies important safety messages on the Buffalo Turbine Blower and in the manual. When you see this symbol, be alert to the possibility of personal injury or death. Follow the instructions in the safety message.**

## 2.1 SAFETY DECALS

The types of decals on the blower unit are shown below. Good safety requires that you familiarize yourself with the various Safety Decals, the type of warning and the area, or particular function related to that area that requires your **SAFETY AWARENESS.\* THINK SAFETY! WORK SAFELY!**

### **!ATTENTION!**

1. **KEEP HANDS, FEET AND CLOTHING AWAY FROM POWER DRIVEN PARTS.**
2. **STOP ENGINE AND REMOVE KEY BEFORE LEAVING OPERATOR'S POSITION.**
3. **MACHINE MUST COME TO A COMPLETE STOP BEFORE ANY MAINTENANCE, TO INCLUDE ADJUSTING, LUBRICATING OR CLEANING, IS PERFORMED.**
4. **KEEP PEOPLE AND PETS AT SAFE DISTANCE FROM MACHINE.**
5. **KEEP ALL GUARDS AND SHIELDS IN PLACE.**



**REMEMBER – If safety decals have been damaged, removed, become illegible or parts replaced without decals, new decals must be applied. New decals are available from your authorized dealer.**

## 2.2 GENERAL SAFETY

1. Read and understand the Operator's Manual and all safety signs before operating, maintaining, and adjusting.
2. Provide a first-aid kit for use in case of an accident. Store in a highly visible place.
3. Provide a fire extinguisher for use in case of an accident. Store in a highly visible place.
4. Wear appropriate protective gear. This list includes but is not limited to:
  - A hard hat
  - Protective shoes with slip resistant soles
  - Protective glasses or goggles
  - Heavy gloves
  - Wet weather gear
  - Hearing protection
5. Do not operate without guards or shields properly installed.
6. Do not allow riders.
7. **Wear appropriate ear protection for prolonged exposure to excessive noise.**
8. **(All Models) Set Blower on the ground, stop engine, set park brake, remove ignition key and wait for all moving parts to stop before dismounting to service or adjust.**
9. Clear the area of people, especially small children, before starting the unit.
10. Review all safety related items annually with all personnel who will be operating or maintaining the Blower.
11. Keep hands, feet, hair and clothing away from moving parts. Operate equipment only while seated in the operator's seat.

## 2.3 OPERATING SAFETY

1. Read and understand the Operator's Manual and all safety signs before operating, servicing or adjusting.
2. Before servicing or repairing, **Set blower on the ground, stop engine, set park brake, remove key, and wait for all moving parts to stop.**

## 2.4 MAINTENANCE SAFETY

1. Read and follow ALL general, operating, maintenance and safety information in this manual.
2. Support the machine with blocks or safety stands when changing tires or working beneath it.
3. Set Blower on the ground, stop engine, set park brake, remove ignition key and wait for all moving parts to stop before operating, servicing or adjusting.
4. Make sure all guards are in place and properly secured when operating or maintaining the Blower.



## Buffalo Turbine Warranty Policy

### 3.0 MACHINE WARRANTY INFORMATION

Buffalo Turbine warrants the DEBRIS BLOWER, to the original owner, to be free from defects in material and workmanship, under normal use and service. **All machines must have a completed registration form sent to Buffalo Turbine within 30 days of purchase for warranty to apply.** Obligation under this warranty shall extend for a period of 10 years from date of purchase and, at the option of Buffalo Turbine, replacement of any parts found, upon inspection by Buffalo Turbine, to be defective. Any parts replaced under warranty will have the remainder of the warranty from the original date of purchase.

**Warranty parts during first 2 years will be shipped free of charge via standard ground shipping**

**\*If expedited shipping is required charges will be paid by the end user\***

Year 1: parts and labor

Year 2: parts only

**Customer will be required to pay shipping charges for years 3-10**

Year 3: Engine, per engine manufacturer's standard / Turbine Assembly / Frame (parts only)

Year 4-10: Turbine Assembly / Frame (parts will be prorated)

**Buffalo Turbine reserves the right to incorporate improvements in material and design of its products without notice and is not obligated to make the same improvements to equipment previously manufactured.**

**ALL WARRANTY REPAIRS NEED PRE-APPROVAL BY A FACTORY PERSON (FROM BUFFALO TURBINE) PRIOR TO COMMENCING WITH A WARRANTY REPAIR TO INCLUDE SERIAL NUMBER AND HOURS FROM HOUR METER (IF EQUIPPED). PRE-APPROVAL WILL BE REQUIRED BY THE END USER AND DEALER/DISTRIBUTOR LEVEL.**

**Factory ordered Buffalo Turbine parts must be used when filing a warranty claim.**

### **LIMITATIONS OF LIABILITY**

This warranty is expressly in lieu of all other warranties expressed or implied and all other obligations or liabilities on our part of any kind or character, including liabilities for alleged representations or negligence. We neither assume nor authorize any other person to assume on our behalf, any liability in connection with the subsequent sale of the **DEBRIS BLOWER**. This warranty shall not apply to any DEBRIS BLOWER, which has been altered outside the factory in any way so as, in the judgment of Buffalo Turbine, to affect its operation or reliability, or which has been subject to misuse, neglect, or accident. This warranty does not cover parts and accessories, which are under separate guarantee from the manufacturers and service can be, obtained from their service facilities. No warranty is extended to regular service items such as lubricants, belts, paint and the like.

### **Original Instruction Manual**

The Purchaser acknowledges having receiving training in the safe operation of the DEBRIS BLOWER and further acknowledges that Buffalo Turbine does not assume any liability resulting from the operation of the DEBRIS BLOWER in any manner other than described in the Operator's Manual supplied at the time of purchase.

**WARRANTY VOID IF NOT REGISTERED (see Page 2 for warranty registration form)**

**DO NOT SPLIT THE TURBINE HOUSING FOR ANY REASON.**

**DO NOT ATTEMPT TO SERVICE OR DISASSEMBLE THE TURBINE BLOWER.**

**DO NOT USE THE TOP OF THE TURBINE HOUSING TO STRAP OR TIE DOWN BLOWER UNITS.**

**Unauthorized service work on the Turbine Blower will null and void all warranties.**

If there are any questions regarding any of our products call Buffalo Turbine at 716 592 2700.

### 3.1 Warranty Registration Form

## BUFFALO TURBINE

### WARRANTY REGISTRATION FORM & INSPECTION REPORT

Any units not registered with Buffalo Turbine are not eligible for warranty claims

This form must be filled out by the dealer and signed by both the dealer and the customer at the time of delivery

Customer's Name \_\_\_\_\_ Dealer's Name \_\_\_\_\_

Address \_\_\_\_\_ Address \_\_\_\_\_

City, State, Zip, Country \_\_\_\_\_ City, State, Zip, Country \_\_\_\_\_

Email Address (important) \_\_\_\_\_ Email Address \_\_\_\_\_

Telephone Number \_\_\_\_\_

Blower Model \_\_\_\_\_

**Circle one:**

Serial Number \_\_\_\_\_

Commercial Use

Delivery Date \_\_\_\_\_

Private Use

#### DEALER INSPECTION REPORT

#### SAFETY CHECKS

\_\_\_\_\_ Tire Pressure Check -- Model KB

\_\_\_\_\_ All Decals Installed

\_\_\_\_\_ Wheel Bolts

\_\_\_\_\_ Review Operating and Safety Instructions

\_\_\_\_\_ Belt Tension

\_\_\_\_\_ Lubricate Machine

\_\_\_\_\_ Guards in Place

\_\_\_\_\_ Fasteners Tight

\_\_\_\_\_ Trailer assembly bolts properly installed and tightened

#### **ALL 3 POINT HITCH MODELS: PTO SHAFTS MUST TELESCOPE IN EVERY POSITION**

I have thoroughly instructed the buyer on the above described equipment which reviews the included Operator's Manual content, equipment care, adjustments, safe operation and applicable warranty policy.

Date \_\_\_\_\_

Dealer's Rep. Signature \_\_\_\_\_

The above equipment and Operator's Manual has been received by me and I have been thoroughly instructed as to the care, adjustments, safe operation and applicable warranty policy.

Date \_\_\_\_\_

Owner's Signature \_\_\_\_\_

**PLEASE EMAIL TO BUFFALO TURBINE AT - [service@buffaloturbine.com](mailto:service@buffaloturbine.com)**

**Or fax to 716 592 2460**



## 4.0 OPERATIONS

### 4.1 TO THE NEW OPERATOR OR OWNER

Buffalo Turbine Debris Blowers are designed to quickly and efficiently, blow away leaves, cuttings and other debris. The material is conveyed on a stream of high volume and velocity of air to remove it from the area of concern. When the material is removed, it gives a neat, professional look to the working area.

Many of the features incorporated into the machine are the result of suggestions made by customers like you. Read the manual carefully to learn to operate the machine safely and how to set it to provide maximum efficiency. The manual will take you step-by-step through your working day. By following the operating instructions in conjunction with a good maintenance program, your Blower will provide many years of trouble-free service.

#### **Potential Mechanical Hazards while operating your machine:**

Never operate the debris blower around others to prevent the possibility of being run over by equipment.

Never ride on your debris blower to prevent the possibility of being thrown off the machine or hurt severely.

#### **Potential Crushing Hazards while operating your machine:**

Between machine arms and blower frame



#### **WARNING:**

This Product can expose you to chemicals which are known to the State of California to cause cancer and birth defects or other reproductive harm.

For more information go to [www.P65Warnings.ca.gov](http://www.P65Warnings.ca.gov).

### 4.2 BREAK-IN

Although there are no operational restrictions on the Blower when it is used for the first time, it is recommended that the following mechanical items be checked:

#### A. Operating for first ½ hour

1. Re-torque all wheel bolts, axle nuts and trailer mounting bolts and nuts.
2. Re-torque all other fasteners and hardware.
3. Check set screw (nozzle pulley) to ensure it tightened.

#### B. Operating for first 5 hours

1. Re-torque all hardware and fasteners.
2. Check set screw (nozzle pulley) to ensure it tightened.
3. Go to the normal servicing and maintenance schedule as defined in the Maintenance Section of the manual.

### 4.3 PRE-OPERATION CHECKS

Efficient and safe operation of the Buffalo Turbine Blower requires that each operator reads and understands the operating procedures and all related safety precautions outlined in this section. A pre-operation checklist is provided for the operator. It is important for both personal safety and maintaining the good mechanical condition of the machine that this checklist is followed.

Before Operating the Blower and each time thereafter, the following areas should be checked off.

1. Make sure all guards and shields are in place, secured and functioning as designed.
2. Lubricate machine per maintenance schedule.
3. Ensure that the machine is properly attached to the (appropriate) power unit attaching arms and that the mounting pins are secured in position.
4. Ensure that ALL Hydraulic lines are securely connected.
5. Check that all clamp bands are secure.
6. Check the belts and pulleys for proper tension and alignment.

#### 4.4 MODEL BT-HYM1CE Assembly Instructions

1. Make sure the tractor has proper Hydraulic Specifications and is in good working order, including mounting brackets and safety equipment.
2. Make sure there is enough room to safely drive up to the blower. Align mounting pins of the blower unit to match the tractor mounting brackets of the tractor. Engage into the mounting brackets and secure pins. (See Tractor attachment installation instructions)
3. Connect Hydraulic lines.
4. Check Upper and lower limits.
5. Connect the remote nozzle control to a 12 volt system only. Red wire needs to be connected to positive terminal of battery. White wire needs to be connected to negative terminal of battery. (wiring schematic on PG. 16)
6. To unhook the blower unit from the tractor, reverse the above procedures. Always park the Blower unit and tractor in a dry, level area.

#### 4.5 FIELD OPERATION

1. Do not direct debris blower towards people, pets, autos, windows, etc.
2. **Starting blower unit:** Always start engine at a lower engine speed with nozzle pointed down or away.
3. The air stream direction is changed (in either direction) by pressing the nozzle buttons on the transmitter. The nozzle will stop turning by releasing the transmitter button. ALWAYS CHECK THE GROUND CLEARANCE WHEN OPERATING THE NOZZLE IN THE DOWN VERTICAL POSITION.
4. **Stopping blower unit:** Gradually slow the tractor RPM down to a lower speed using the throttle.
5. Allow the blower fan speed to come to a complete stop before disconnecting from tractor.

#### 4.6 Operating RPM (All Models)

The manufacturer's engine section normally recommends the unit be run at a RPM that will insure efficient operation. The Blower can operate at a slower RPM if it can effectively move the debris. Increase engine RPM as needed.

Moving light material, such as dry leaves, requires much less wind than wet or heavier material.

Always try to blow with the wind. The Blower can be used for a wide variety of applications to move leaves, grass clippings, aeration plugs and debris. Drying wet areas has been another use with these powerful Debris Blowers.

#### 4.7 Storage

At the end of the working season or before storing the blower unit, prepare the machine by following this procedure:

1. Select a storage area that is dry, level and free of debris.
2. Thoroughly wash the machine with a water hose to remove all debris and residue.
3. Run the machine at low RPM to dry the Blower Components.
4. Touch up all paint chips and scratches to prevent rusting.
5. Inspect for worn or failed components. Order the replacement parts and repair the blower unit when time allows. This will eliminate unnecessary down time at the start of next season.
6. Store in an enclosed building. If space is not available, cover with a waterproof tarpaulin and tie it down securely.
7. Store the machine away from areas of human activity.
8. Do not allow children to play around the stored unit.

## 5.0 TROUBLE SHOOTING

The Buffalo Turbine Debris Blower uses a high volume and velocity of air to move material from one place to another. The system is simple and reliable requiring minimal maintenance.

If you encounter a problem that is difficult to solve, even after reading through this trouble shooting section, please call your local dealer or distributor. **Before calling, please have this Operator's Manual and the serial number from your Blower ready.**

In the following section, we have listed causes and solutions to the problems that you may have encountered. **TURN OFF ENGINE, REMOVE KEY, AND DISCONNECT BATTERY BEFORE SERVICING BLOWER UNITS. INSTALL GUARDS BEFORE OPERATING.**

PROBLEM	CAUSE	SOLUTION
No air flow	Buildup of debris inside turbine	Remove nozzle and clean debris from inside turbine
	Broken coupling	Replace coupling
No air flow	Blower fan not turning	See solutions above
Reduced or no air flow	Blower fan turns	Air intake or exhaust restricted Shut off engine Blower or tractor – remove restrictions Debris cannot be allowed to build up between the blower fan and stationary vanes
Machine vibrates or Unusual sounds	Bearing or coupling failure Out-of-balance	Replace bearings or coupling Have your dealer check blower for damaged blades. Wash and clean blower fan blades

## 6.0 Machine Specifications

### Model BT-HYM1CE Series

Length:	58" With nozzle 42" Without nozzle
Width:	25"
Height:	33" With nozzle
Weight:	300 lbs
Electrical System:	12 Volt
Input RPM:	Up to 3600 RPM
Outlet Size:	Approximately 12"

### Hydraulic Motor Specifications

Displacement size	.915 cu.in./Rev
Required minimum hydraulic pressure (to operate @ stated values)	2900 psi
Maximum shock and surge pressure	3500 psi
Maximum flow rate	16 gpm
Minimum flow rate	13 gpm*
Maximum speed (continuous)	up to 3600 rpm*
Mounting (any position)	SAE "A" size, 2 bolt
Shaft seal	150 psi
Port location	Side ports

(\*) Flow Rates below 16 gpm will reduce the Blower output (RPM) please contact Buffalo Turbine for more information.

**Repairs:** Motors are not repairable in the field except for replacement of shaft seals.

## 7.0 MAINTENANCE SECTION

### 7.1 Maintenance Safety

1. Set Blower on a level surface, stop engine, set park brake, remove ignition key and wait for all moving parts to stop before dismounting to service, adjust or repair.
2. Reinstall and secure all guards removed for servicing before starting to use machine again. \*We recommend wearing gloves when removing or installing the guard to avoid getting cut\*
3. Securely support machine with blocks or safety stands when changing tires or working beneath it.

### 7.2 Fluids

Flange Bearing requires NLGI2 grease \*2-3 shots of grease every 40HRS\*

Change oil per Manufacturer's specification (see Engine owner's manual section).

A Teflon spray type lubricant on the nozzle base and slides provides for freer rotation.

### 7.3 SERVICE CHECKLIST

See Lubrication and Maintenance sections for details of service. Copy this page to continue record.

#### TURN OFF ENGINE, REMOVE KEY & DISCONNECT BATTERY BEFORE SERVICING BLOWER UNIT

CODE: LUBRICATE-(L) / CHECK-(\*) / CHANGE-(C) / REPLACE-(B) / CLEAN-(CL)

**SCHEDULED MAINTENANCE HOURS** \_\_\_\_\_

**SERVICED BY** \_\_\_\_\_

#### **MAINTENANCE**

##### **8 hrs or daily**

(\*) Remove all debris that has settled between the blower wheel fan and the stationary vanes.

Helps maintain peak performance.

(\*) Check Clamp Band Bolt for tightness

##### **40 hours or weekly**

(\*) Check condition of coupling (center section) connecting bolts and nuts during each oil change or when experiencing vibration or unusual noises.

(L) Nozzle base slides (Teflon or Silicone spray)

(L) Pillow Block and Flange Bearing (2-3 shots of grease)

(\*) Check set screw (nozzle pulley) to ensure it is tightened

(\*) Wash and Clean any dirt or grime build up that has accumulated on blower wheel fan blades. Helps to minimize vibration balance and maintain peak performance.

##### **200hrs or annually**

(CL) Machine

**DO NOT OPERATE BLOWER UNIT WITHOUT GUARDS SECURELY ATTACHED**

*Debris Blowers, Vector Sprayers, Dusters  
and Dust Control Systems*

## Declaration of Conformity

### According to EC Machinery Directive 2006/42/EC, Annex II B

We, Buffalo Turbine of Springville, New York, USA herewith declare, that the following described machine/machinery part is to be incorporated into a(n) machine/assembly with other machinery to make one machine and that its setting into operation is prohibited unless the machine, which shall be incorporated into the lower mentioned, complies with the requirement of the EC Machinery Directive 2006/42/EC.

Product: Engine Debris blower

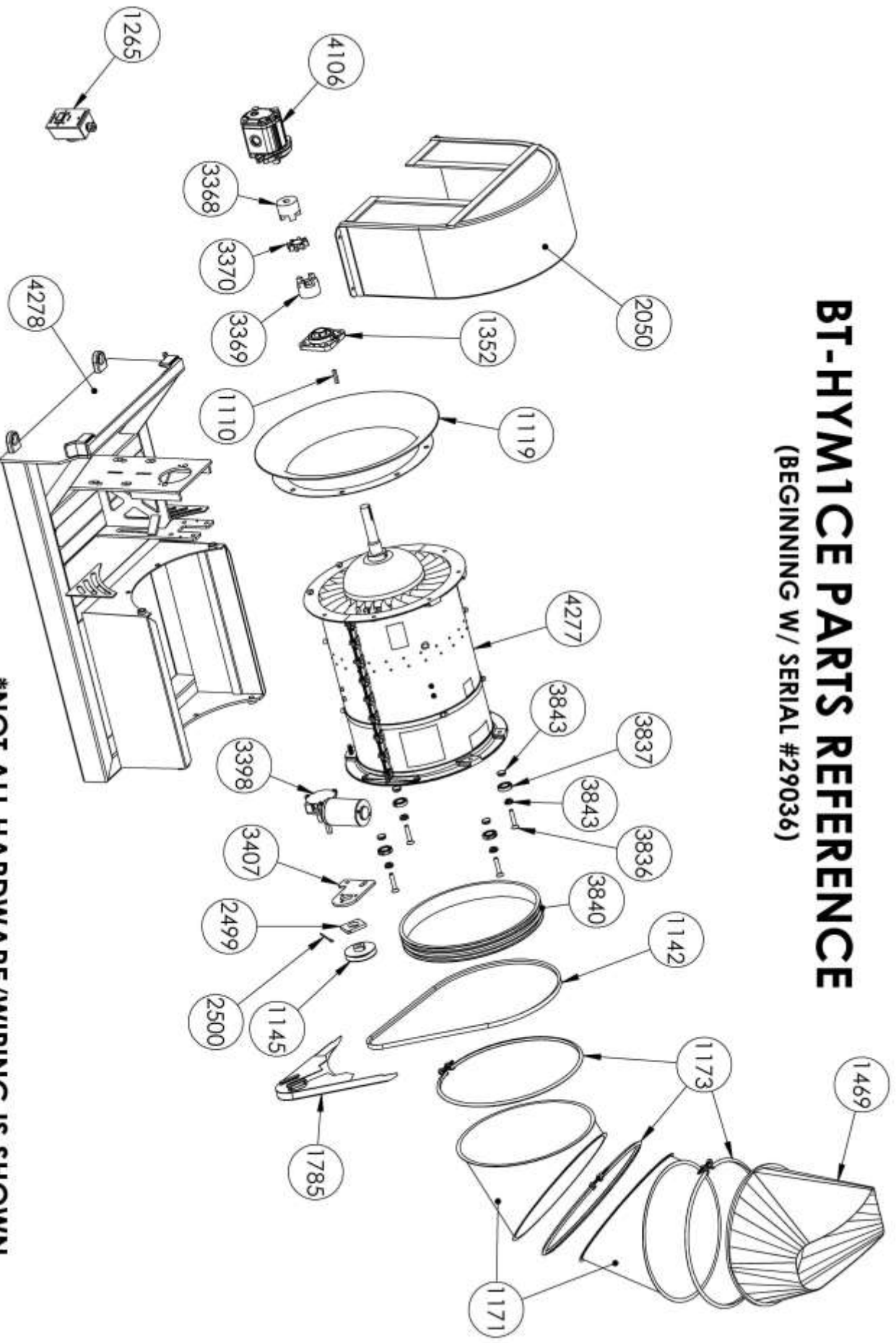
Type: BT-HYM1CE

Applicable EC Directives: Machinery Directive 2006/42/EC

Applicable Harmonized Standards: BSENISO 12100:2010  
ISO 4413:2011

# BT-HYM1CE PARTS REFERENCE

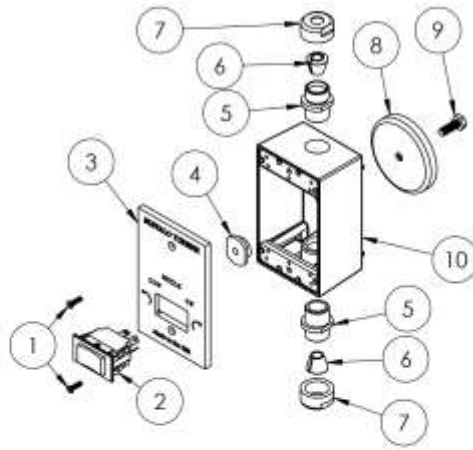
(BEGINNING W/ SERIAL #29036)



**\*NOT ALL HARDWARE/WIRING IS SHOWN**

## MACHINE SUB ASSEMBLIES PARTS REFERENCE

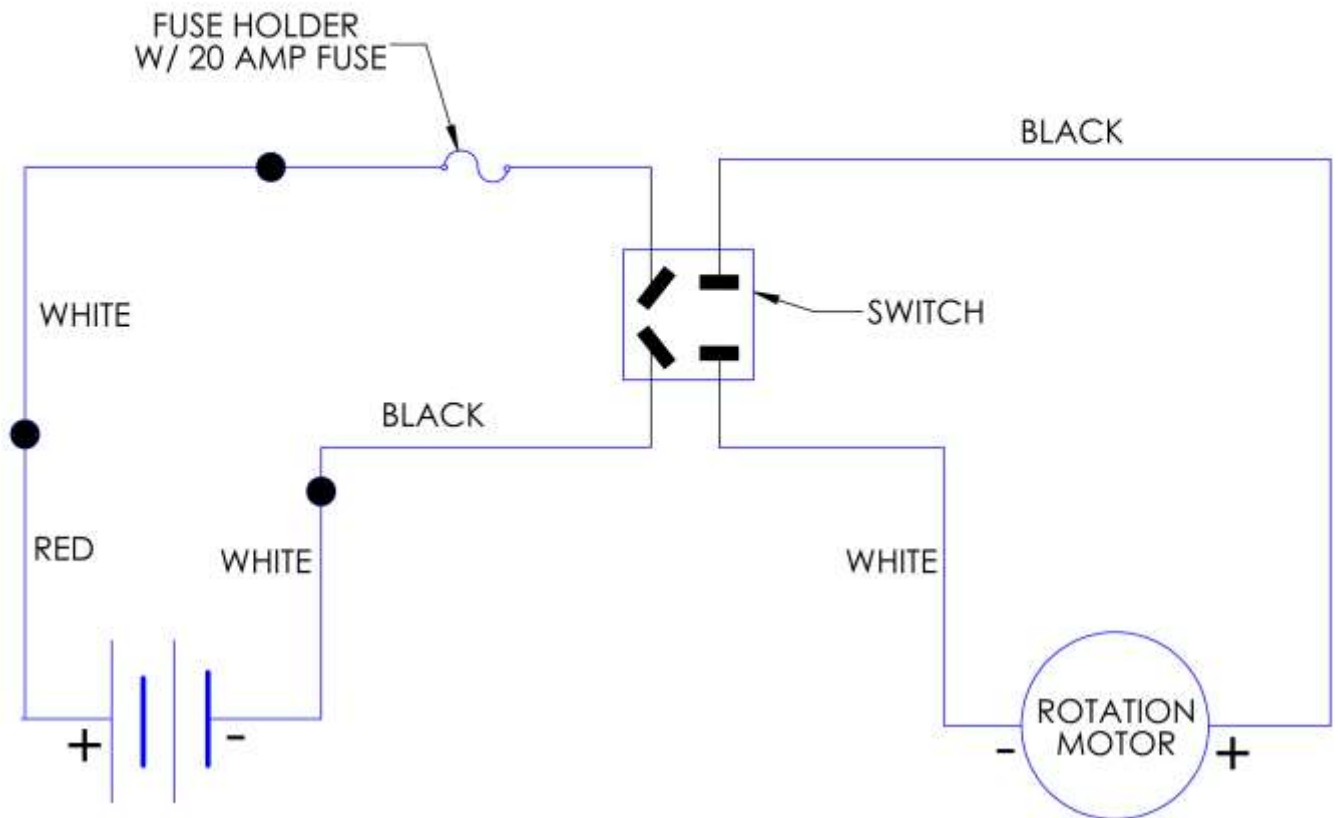
PART # 1265 : WIRING HARNESS			
Ref #	Qty.	Description	Part #
1	2	6-32 PHILLIPS FLAT HEAD SCREW	1279
2	1	ROCKER SWITCH	1769
3	1	NOZZLE CONTROL BOX COVER	1304
4	1	1/4-20 NUT PLATE	1302
5	2	BOX FITTING	1295
6	2	2 WIRE BUSHING	1287
7	2	2 AND 4 WIRE NUT	1286
8	1	MAGNET	1300
9	1	1/4-20 X 3/4 HHCS	1258
10	1	CONTROL BOX HOUSING	1281



**NOTE: NOT SHOWN BUT INCLUDED WITH PART #1265**

Part #	Description	Qty.
1177	1/4 BLACK HEAT SHRINK	4
1178	3/8 BLACK HEAT SHRINK	8
1282	QUICK CONNECT FLAG TERMINAL	4
1283	BUTT CONNECTOR	3
1293	FUSE HOLDER	1
1294	20 AMP FUSE	1
1537	16-2 SJOWW CORD	156 in.
2023	16/14 FULLY INSULATED MALE QUICK DISCONNECT	2
2084	11172-03, CONNECTER PLUG, 2 POLE	1
2085	11172-02, CONNECTER PLUG, 2 POLE	1

# WIRING SCHEMATIC CONTROL BOX





BILL OF MATERIALS FOR BT-HYM1CE			
REF PAGE #	PN	DESCRIPTION	QTY
	1100	3/8-24 X 1-1/4 HHCS ZINC GR 5	6
	1101	3/8-24 X 1-1/2 HHCS ZINC GRADE 5	7
	1102	3/8-24 X 1-3/4 HHCS ZINC	3
	1105	3/8-24 HEX NUT ZINC PLATED GRADE 5	18
	1107	3/8 LOCK WASHER ZINC PLATED	20
	1108	3/8 FLAT WASHER ZINC PLATED	18
12	1110	KEY, 1/4 X 1-1/2	1
12	1119	14-221-D1 BELLMOUTH	1
	1130	5/16-18 X 3/8 SET SCREW	1
	1139	3/8 NOTCHED WASHER	2
12	1142	AX54 V-BELT	1
12	1145	SHEAVE AK32 X 1/2	1
	1156	SERIAL TAG	1
	1167	COV 5/16 X 1/4 WIRE CLAMP	2
	1169	1/2-20 X 1 HHCS	4
12	1171	ELBOW SEGMENT	2
12	1173	CLAMP BAND W/ BOLT & NUT	3
	1182	4 X 4 BT DECAL	2
	1184	WARNING – EYE PROTECTION DECAL	1
	1185	WARNING – EAR PROTECTION DECAL	1
	1186	CAUTION DO NOT OPERATE DECAL	1
	1233	AMERICA & SAFETY FIRST DECAL	1
	1236	3/16 X 1 ROLL PIN	4
	1259	1/4 LOCKWASHER	7
12	1265	PTO WIRING HARNESS	1
12	1352	1" FLANGE BEARING	1
12	1469	SHORT RECTANGULAR NOZZLE	1
	1660	7/16-20 HEX NUT	2
	1661	7/16 LOCK WASHER	2
	1669	1/2-20 X .055 HEAD INSERT	4
	1783	CE LABEL	1
12	1785	GUARD ROTATION MOTOR BELT	1
12	2050	GUARD, HYSS3	1
	2076	INSULATED FEMALE QUICK DISCONNECT	2
12	2499	1/8" X 2-1/2" COTTER PIN	1
12	2500	PLASTIC BELT GUARD MOUNT	1
	3152	1/4-28 X 1" HHCS	3
	3178	HYDRAULIC DECAL	2
12	3368	SHAFT COUPLING, MANIFOLD SIDE	1
12	3369	SHAFT COUPLING, TURBINE SIDE	1
12	3370	MANIFOLD COUPLING INSERT	1
12	3398	ROTATION MOTOR, 12V BI DIRECTIONAL	1
12	3407	ROTATION MOTOR BRACKET	1
12	3836	3/8-24 X 2" LG FHCS	4
12	3837	ELBOW BASE RING BEARING	4
12	3840	V-GROOVE BASE RING	1
12	3843	BEARING BUSHING	8
	3881	7/16-20 X 1-1/2 HHCS	2
13	4106	HYDRAULIC MOTOR, STANDARD	1
13	4277	ELECTRIC BLUE TURBINE ASSEMBLY	1
13	4278	BT-HYM1CE FRAME	1

# OPTIONS PTO, HYDRAULIC, FRONT MOUNT, ELECTRIC

## NOZZLES



Aerospace Polymer Nozzle - Part# 2851  
Standard Clamp Band - Part# 1173



Flexible Nozzle Assembly - Part# 3345  
Various lengths available.  
Ideal for rough terrain.

Gyratory Atomizing Nozzle - Part# 2547  
(Safety guard removed for clarity)



## ALUMINUM NOZZLES

Optional aluminum nozzles **will not** connect to the standard Aerospace Polymer Nozzle (Part# 2851). Requires: **Two 45° elbow segments (Part# 1171)** and two additional clamp bands (Part# 1173).

- 12" Nozzle Extension - Part# 1468
- 15" Nozzle Extension - Part# 1842
- 20" Nozzle Extension - Part# 1845

10" Round Nozzle - Part# 1417  
12" Round Nozzle - Part# 1172  
Improves air velocity with lower horsepower and hydraulic blower units



12" Rectangular Nozzle - Part# 1469  
19" Rectangular Nozzle - Part# 1425  
5.5"x15" opening - extra length/more concentrated air flow. Uses - heavy wet debris, plugs, top dressing. No ground clearance in the vertical down position.



Fishtail Nozzle - Part# 1743  
5"x30" (wide angle) opening. Distributes a large volume of air at a lower velocity over a wide area. Easily converts blower into a "Greens Fan". Adaptable to all models. Not as effective at moving debris.



## 1" HYRAULIC HOSES

Part# 3922  
For hydraulic machines with flow rates over 25gmp.  
Quantity needed: 2



## FORK POCKET

Part# 3894  
Great for moving blowers around jobsites and bed mount / skid mount applications.



## ROTATION BEARING KIT

Part# 3838  
Increases rotation speed and reduces load on rotation motor.



# BUFFALO TURBINE PRODUCTS

## CYCLONE 8000

The Cyclone 8000 Debris Blower is strategically priced to fit most budgets. This little powerhouse is already proving its worthiness in saving Time and Labor.



## MEGA

The word "MEGA" is defined as Impressive, Extreme and Mammoth. The NEW Buffalo Turbine MEGA lives up to its name!



## CYCLONE PTO

The Cyclone PTO incorporates an "Advanced" direct drive gearbox which significantly reduces routine maintenance. At 238lbs, it's the lightest, meanest turbine style PTO blower available!



## CYCLONE SQUARED

The Cyclone Squared with its "Twin Turbines", and wireless controlled dual independent nozzles, in most cases can handle twice the work in half the time. This versatile powerhouse is already a favorite on Golf courses, Racetracks, and the Paving Industry.



## CYCLONE KB4

The Cyclone KB4 with its "More Powerful" CH740 Kohler Engine and a "State of the Art" Wireless Remote System is the most powerful KB unit to date.



## HYDRAULIC

The Hydraulic debris blower features our built in "flow and pressure" control system and easily attaches to most skid steers. This handy attachment comes complete with mounting plate and hoses.

